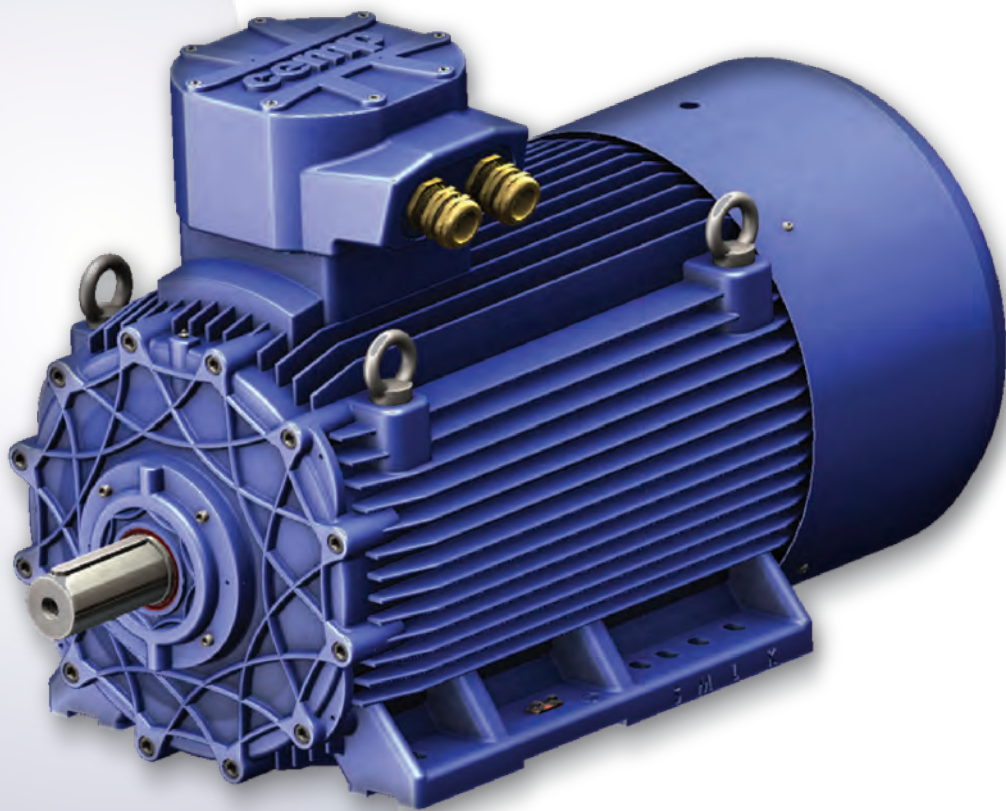


cemp

Flameproof
Motors

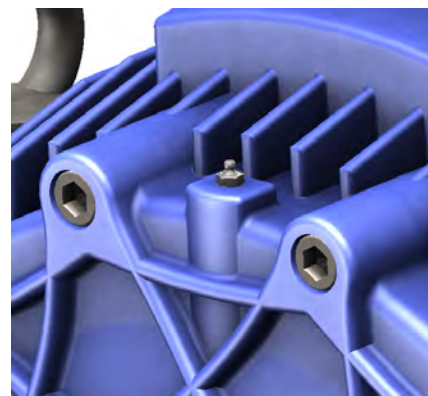
Motor size 355 - IE3

Atex - IECEx



A Regal Brand

REGAL



355 IE3 Motors - Atex

Series AB-AC, Cast iron

To norms IEC 60079-0, 1, 7, 31,
IEC 60034-1, 5, 6, 7, 8, 9, 12, 14,
IEC 60072

Ex d, Ex de, Ex t

ATEX category 2G, 2GD

IECEx certificated

Group IIB, IIC, IIIB, IIIC

Temperature Class T3, T4, T150°C,

T135°C

Protection IP55, IP56, IP65, IP66

Frame size 355 (IEC)

Power from 160 to 375 kW

Three phase 1 or 2 speed

400V, 50 Hz

Pole 2, 4, 6

Ventilated & with forced ventilation

TECHNICAL FEATURES

- Three-phase squirrel cage asynchronous motors.
- Totally enclosed, fan cooled, frame IP55 with terminal box IP65.
- Motor dimensions compliant with IEC 60072 standard.
- Power supply: 400V/50Hz
- Class F insulation.
- PTC thermistors.
- Anti-condensing heater.
- Terminal box designed to be rotated by 90° in 4 different positions.
- High corrosion protection:
 - internal anti-rust coating and
 - external epoxy paint coating (minimum thickness 120 µm);
 - stainless steel nameplate;
 - anticorrosion plated fasteners.
- High impact protection:
 - frame, terminal box and cast iron endshields;
 - fan cover in sheet steel.
- Standard motors equipped with radial deep groove open ball bearings.
- Low friction dust seals.
- Bearings with greasing nipples.
- Roller bearings for heavy loads.
- Low maintenance requirements.
- Certificate: TÜV IT 15 ATEX 023 X



MAIN OPTIONS

Mechanical variants

- Motors protection IP55, IP56, IP65, IP66
- Low temperature
- Special flanges and shafts
- Locked bearings, roller bearings or special bearings
- Terminal box on side
- SPM probe (vibrations measurement)
- Double ended shafts
- Cable gland fitted to terminal box
- Condensation drain valve
- Grade A or B balancing

- Rain cap or sun shield water shredding disk
- Low noise
- Auxiliary terminal box

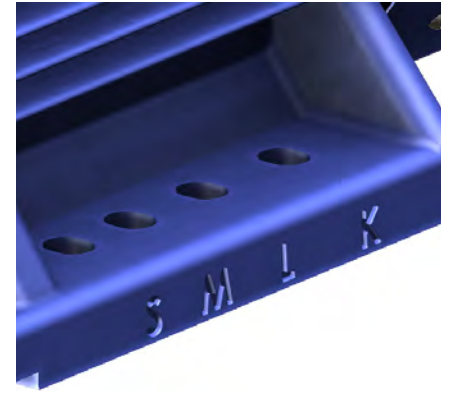
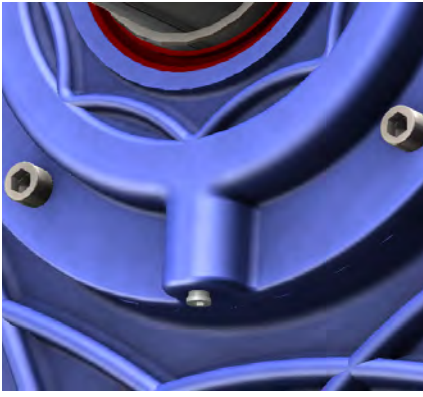
Electrical

- Special voltage and frequency
- Heaters
- Bimetallic thermal protection (NC, NO), thermistors (PTC), platinum resistor(PT100)
- Three phase 2 speeds
- Other polarity
- Motors for tropical climates

- Low (-55°C) temperature motors
- Electrical special designs
- Class H insulation

Accessories

- Suitable for frequency converter drives
- Forced ventilation (IC416)
- Encoders (100 - 10000 ppr)
- Bearing sensors
- Suitable for AC drives

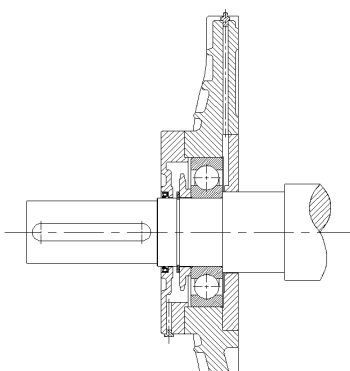


and IECEx compliant

Rated data for 1 speed motors (3000, 1500, 1000 1/min)

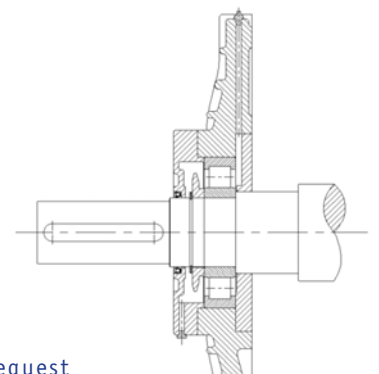
Series		TYPE	POLE	Rated output Pn [kW]	Speed n [1/min]	Current In [A]	Efficiency η [%]	Power factor cos ϕ	Torque Mn [Nm]	Starting Current Ia/In	Starting Torque Ma/Mn	Maximum Torque Mm/Mn	Moment of Inertia J [kgm ²]	Mass m [kg]
IIB Ex-d Ex-de	IIC Ex-d Ex-de													
AB30 AB35	AC30 AC35	355 M	2	250	2983	420	95,8	0,90	800	6,8	1,7	2,8	3,8130	1980
		355 ML		315	2983	526	95,8	0,90	1014	6,9	1,8	2,8	4,5200	2230
		355 LC		355	2986	595	95,8	0,90	1133	7,9	2,2	3,2	5,5809	2440
		355 LD		375	2986	626	95,8	0,90	1200	7,8	2,2	3,1	5,5809	2440
AB30 AB35	AC30 AC35	355 M	4	250	1491	424	96,0	0,89	1600	7,1	1,9	2,5	9,3060	2120
		355 LB		315	1491	529	96,0	0,90	2030	7,1	1,9	2,4	10,8070	2410
		355 LC		355	1491	598	96,0	0,89	2268	7,2	2,0	2,3	11,9000	2490
		355 LD		375	1491	630	96,0	0,90	2403	6,8	1,9	2,2	11,9000	2490
AB30 AB35	AC30 AC35	355 MA	6	160	992	287	95,8	0,84	1543	6,6	2,0	2,7	9,5950	2015
		355 MB		200	992	359	95,8	0,84	1938	6,8	2,1	2,7	11,2140	2155
		355 LB		250	992	446	95,8	0,84	2404	6,9	2,2	2,7	13,2630	2440
		355 LC		280	992	500	95,8	0,84	2695	6,8	2,1	2,7	14,6350	2570
		355 LD		315	992	562	95,8	0,84	3032	6,8	2,1	2,7	16,0071	2690

Bearings

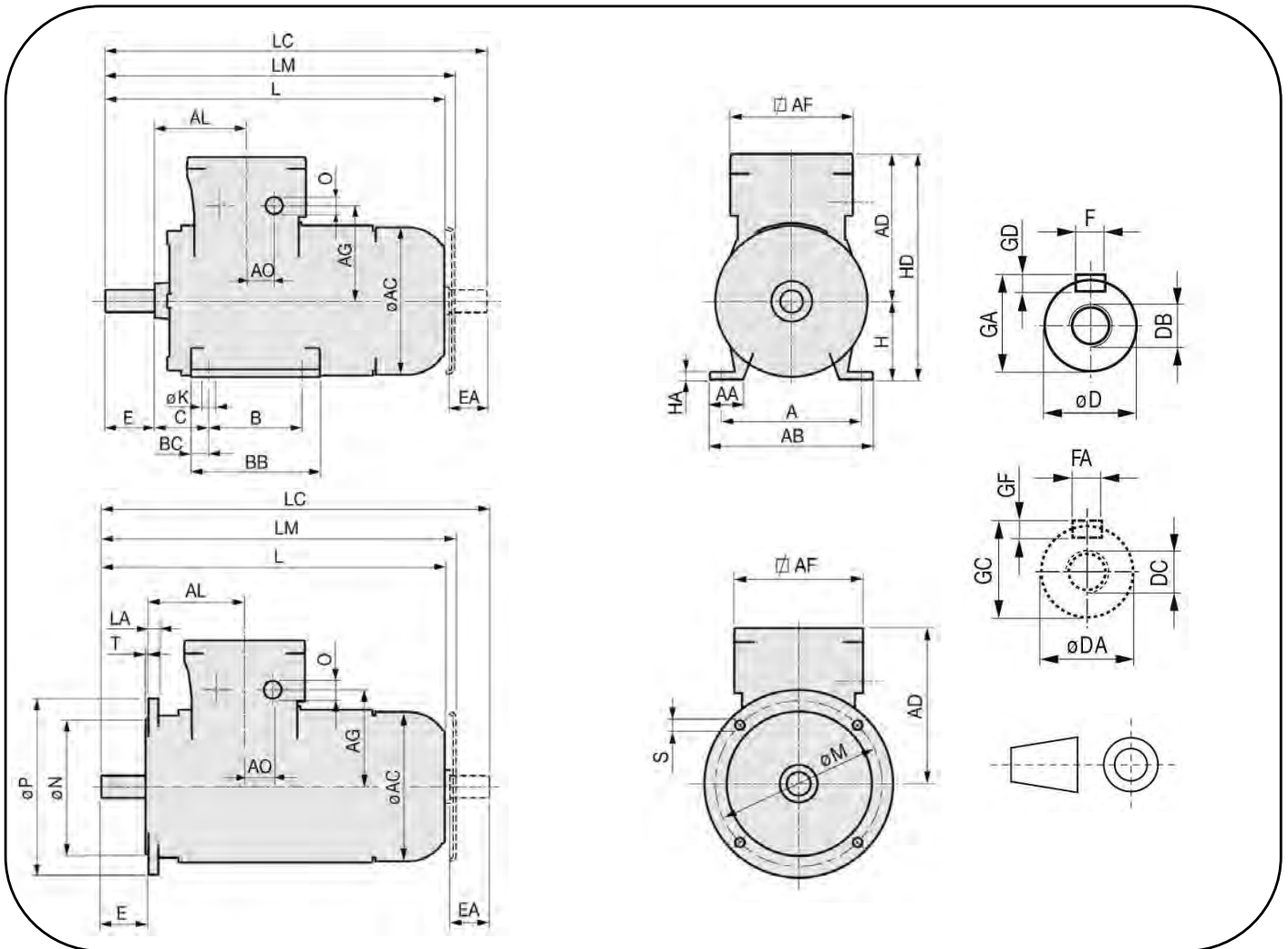


Standard ball bearing

Frame size	Pole	Drive end	Non drive end	Lubrication Time [h]	Grease amount [g]
355	2	6317 C3	6316 C3	3400	40
	4	6322 C3	6316 C3	6900	60
	6	6322 C3	6316 C3	11200	60



Roller bearing on request



To others frame size (63 + 315) please see catalogue 14 Flameproof motors.

Type	A	AA	AB	AC	AD	AF	AL	B*	BC	BB	C	H ⁰ _{-0.5}	HA	HD	K	L	LC
355M 2	610	150	760	735	693	410	429	560*	80	739	254	355	50	1048	28	1544	1704
355M 4-6-8	610	150	760	735	693	410	429	560*	80	739	254	355	50	1048	28	1624	1844
355L 2	610	150	760	735	693	410	429	630^	80	889	254	355	50	1048	28	1704	1854
355L 4-6-8	610	150	760	735	693	410	429	630^	80	889	254	355	50	1048	28	1774	1994

Type	LM	AO	IEC60423 n. x O	AG	DA	E EA	F FA	GA GC	GD GF	DB DC	LA	M	N	P	S	T
355M 2	1654	65	2 x M63	538	70	140	20	74.5	12	M20	25	740	680	800	24	6
355M 4-6-8	1724	65	2 x M63	538	100	210	28	106	16	M24	25	740	680	800	24	6
355L 2	1804	65	2 x M63	538	70	140	20	74.5	12	M20	25	740	680	800	24	6
355L 4-6-8	1874	65	2 x M63	538	100	210	28	106	16	M24	25	740	680	800	24	6

Every care has been taken to ensure the accuracy of the information contained in this publication. Due to Cemp's policy of continuous development and improvement, the company reserves the right to supply products which may differ slightly from those illustrated and described in this publication.

B*
*500
^500; 560; 710

Descriptions and technical features listed in this brochure may not be considered as binding. Under no circumstances should data in this publication be considered as a contractual obligation.
PRELIMINARY RELEASE

Cemp srl

Via Piemonte 16
20030 Senago (Milano) - Italy
Tel. +39 02 94435401
Fax +39 02 9989177
info@cemp.eu
www.cemp.eu - www.regalbeloit.com

A Regal Brand

REGAL