

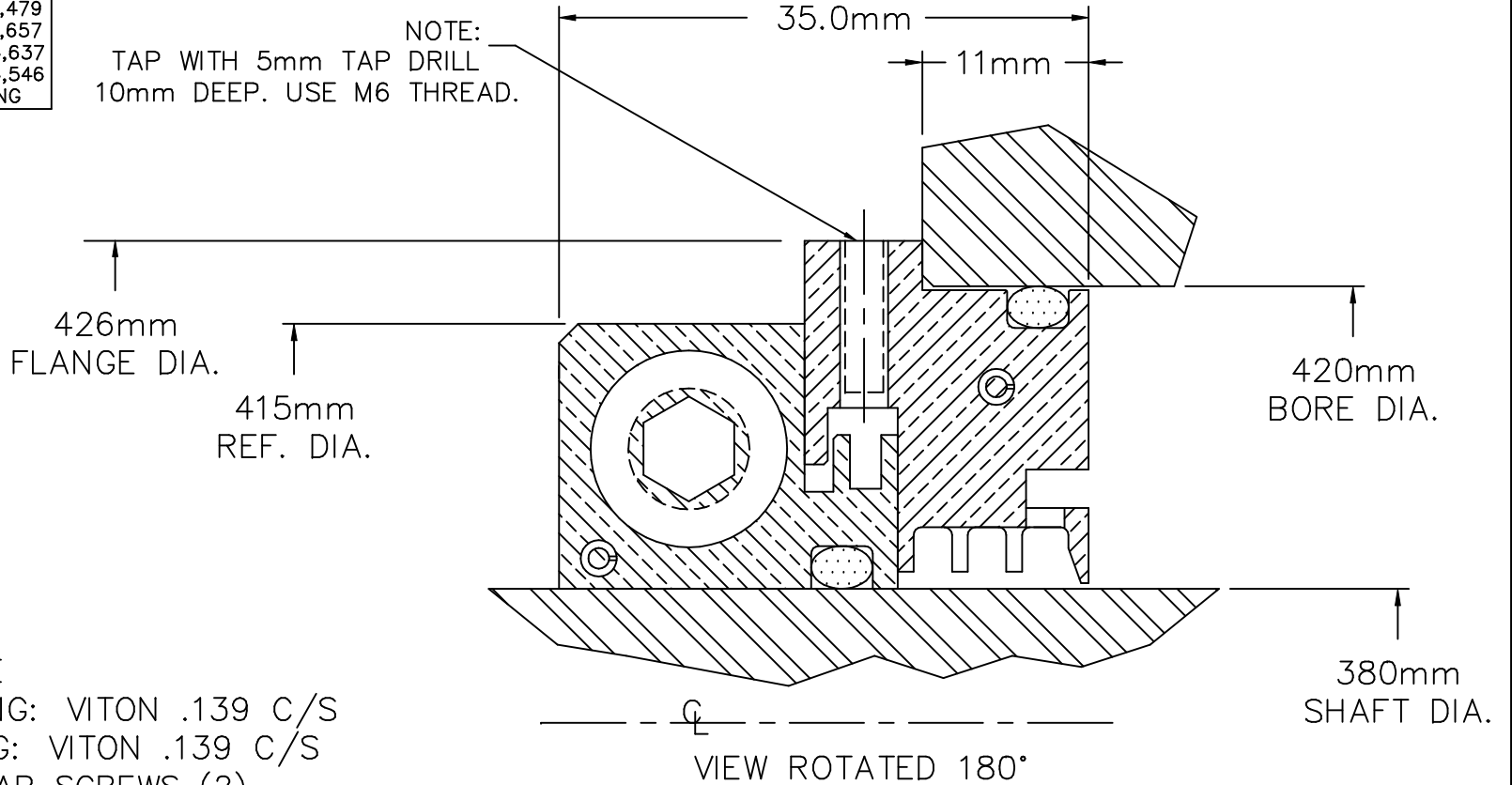
PROPOSED

SLM-3800-4200-BE13

SYM	REVISION	DATE	AUTH.

ProTech
 U.S. PATENT NO. 5,316,317
 U.S. PATENT NO. 5,431,414
 U.S. PATENT NO. 5,522,601
 U.S. PATENT NO. 5,735,530
 U.S. PATENT NO. 5,967,524
 U.S. PATENT NO. 6,017,037
 U.S. PATENT NO. 6,024,362
 U.S. PATENT NO. 6,065,755
 U.S. PATENT NO. 6,142,479
 U.S. PATENT NO. 6,164,657
 U.S. PATENT NO. 6,336,637
 U.S. PATENT NO. 6,386,546
 OTHER PATENTS PENDING

NOTE:
 TAP WITH 5mm TAP DRILL
 10mm DEEP. USE M6 THREAD.



MATERIALS:
 SEAL: BRONZE
 STATOR O-RING: VITON .139 C/S
 ROTOR O-RING: VITON .139 C/S
 M8 X 25 SS CAP SCREWS (2)
 SS ROLL PINS (4)
 GASKET MATERIAL

THIS PRINT IS THE PROPERTY OF JM CLIPPER CORP. NACOGDOCHES, TX. AND IS NOT TO BE USED DIRECTLY OR INDIRECTLY IN ANY WAY DETRIMENTAL TO THE INTERESTS OF JM CLIPPER CORP., AND MAY NOT BE SHOWN TO ANOTHER PERSON OR FIRM EXCEPT WITH THE PERMISSION OF JM CLIPPER CORPORATION



JM Clipper Corporation

DESIGN ENGINEERING NACOGDOCHES, TX

PROTECH™ BEARING ISOLATOR
 SLM-3800-4200-BE13

DR.: RJT	DRAWN TO SCALE	
CKD.:	DATE: 9/24/04	
ENG.:	APPR.:	SHEET 1 OF 1