

ITV-VR / ITVAF

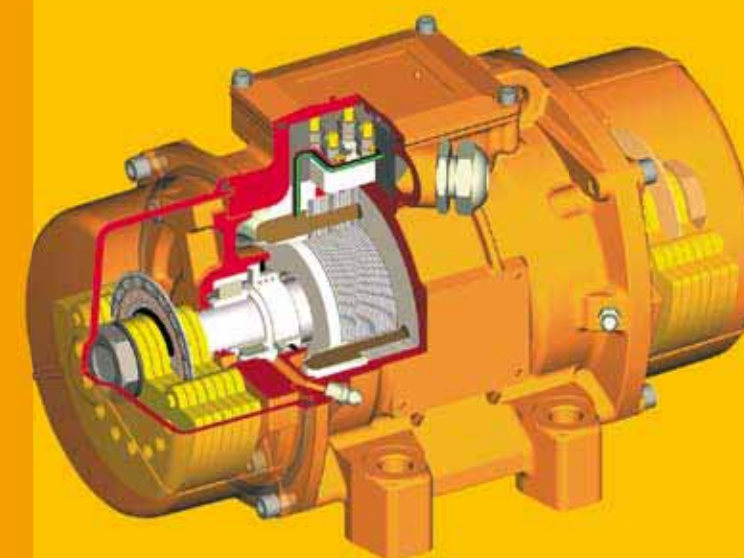


Italvibras produces 2 series of electric vibrators with frequency variation which can be applied to systems and machines in the precasting industry:

ITV-VR Series, with variable frequency;
ITVAF Series, with fixed frequency.

The ITV-VR series electric vibrators are able to provide a centrifugal force of up to 5300 Kgf (52 kN) at a frequency varying from 0 to 6.000 rpm. The ITVAF series electric vibrators with fixed vibration (6000 or 9000 rpm) provide a vibrating energy of up to 1480 Kgf (14,6 kN).

Both are available with either the fixed or cradle connection.



Technical features

Power supply

Three-phase voltage from 24V to 690V at the various frequencies, depending on the type and series. It is advisable to use the Vibravar, Multivar or the CFV variable high frequency power suppliers to power the electric vibrators.

Conformity to the European Directives

Low Voltage 72/23/CE; Electromagnetic compatibility 89/336/CE.

Reference standards

EN 60034-1.

Operation

Continuous service (S1) at the maximum declared centrifugal force and electric power values.

Centrifugal force

Range extended up to 5300 kgf (52kn) with force output adjustable from 0 to 100%.

Mechanical protection

IP66 according to IEC 529, EN 60529; IK08 protection against impact.

Insulation class

Class F (155°C).

Tropicalization

Standard on all vibrators, with vacuum impregnation up to size AF 33 and 35, with "drop by drop" trickle system for larger sizes.

Environmental temperature

To operate correctly, from -30°C to +40°C.

Vibrator heat protection

With PTC rated thermistor heat detectors 130°C installed as part of the standard assembly size AF70 onwards.

Also on request thermistors with different temperatures and anti-condensation heaters.

Fixing of the vibrator

In all positions and therefore without restriction. Two different types of connection are available for the ITV-VR-S90 and ITVAF-S90 series: fixed connection, where the electric vibrators are connected to the structure by bolts through fixing holes and the RS cradle connection, where the electric vibrators are connected to the structure with the standardized cradle type RS2.

Lubrication

All the electric vibrators are correctly lubricated in our factory and need no further lubrication when used. Special grease for high-speed operation is used. Periodic re-lubrication is recommended by means of special grease nipples. The excess grease is discharged into the weight compartment by means of the differentiated labyrinth system.

Terminal box

Generously sized to make the electrical connections easier. Special shaped terminals allow to fix the power supply cable.

Electric motor

Three-phase asynchronous type.

Casing and bearing flange

In ductile cast iron to optimize the seal and efficiency at high speeds.

Bearings

A special shape, exclusively designed and made for Italvibras and able to bear strong loads at high speeds.

Motor shaft

in treated steel alloy (isothermic hardening) able to withstand high stress.

Eccentric weights

Specially shaped lamellar type that can be easily adjusted.

Weight covers

In aluminium alloy treated with rust inhibitor. They are perfectly dustproof, watertight and offer optimum shock resistance in all conditions of use and work environments.

Painting

Electrostatic surface treatment based on polymerised epoxy polyester powder in oven at 200°C. Tested in salt spray for 500 hours.

Certifications



Regulation CAN/CSA - C22.2 N. 100-95, file n° LR100948 Class 4211 01 – Motors and generators.



Mechanical protection IP66 (EN 60529), shock-proof protection IK 08 (EN 50102)

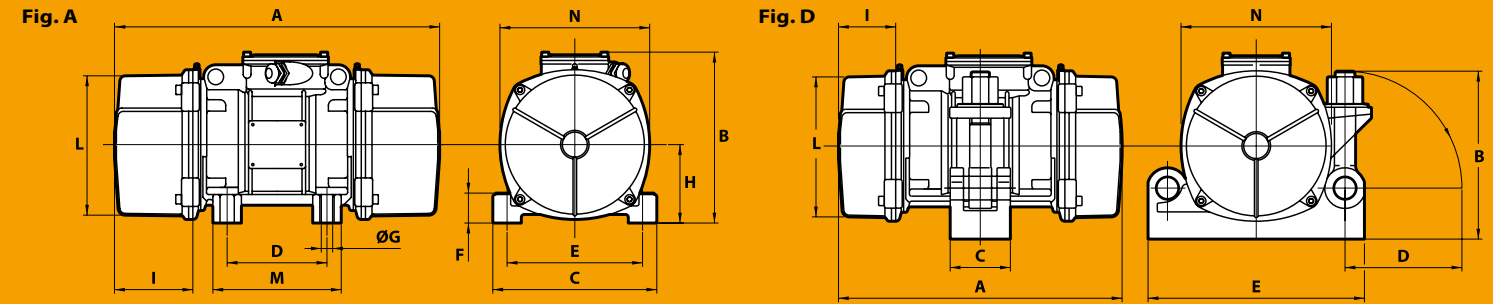


Gost-R certificate for all models of vibrators: GOST 16264.1, GOST 16264.0, GOST R 51689.



Comply with the applicable European Union directives

ITV-VR / ITVAF



	Description				Mechanical specifications				Electrical specifications			
	Code	Type	SIZE	SF	Plage vibrat. (vibr./mn.)	Centrifugal force		Weight kg	Max input power W	Max. current A 100 Hz		Ia/In
						kg	kN			42V	400V	
ITV-VR fixed connection	600246	ITV-VR/1210	AF33	•	0+6000	1475	14.5	28	1200	21	2.3	4.48
	600247	ITV-VR/2010	AF33	•	0+6000	2000	19.6	31	1700	27	2.9	5.00
	600248	ITV-VR/2510	AF50	-	0+6000	2500	24.5	41	2200	35	3.9	6.15
	600249	ITV-VR/2510-V*	AF50	-	4500+6000	2500	24.5	41	2200	35	3.9	6.15
	600212	ITV-VR/5000	AF70	-	0+4300	5300	52.0	106	5000	-	8.0	5.30

Type	Fig.	Dimensional specifications (mm)													
		A	B	C	D	E	Holes				I	L	M	N	
							øG	N°	F	H					
ITV-VR/1210	A	339	214	215	100	180	17	4	47	92.5	73.5	164	140	179	
ITV-VR/2010	A	355	214	215	100	180	17	4	47	92.5	81.5	164	140	179	
ITV-VR/2510	A	430	230	230	140	190	17	4	49	104	87.5	186	180	200	
ITV-VR/2510-V*	A	465	230	230	140	190	17	4	49	104	105	240	180	248	
ITV-VR/5000	A	558	305	310	155	255	25	4	90	130	108	233	210	248	

ITV-VR RS cradle connection	600244	ITV-VR/1210-RS	AF33	•	0+6000	1475	14.5	25	1200	21	2.3	4.48
	600245	ITV-VR/2010-RS	AF33	•	0+6000	2000	19.6	28	1700	27	2.9	5.00

ITV-VR/1210-RS	D	339	189	83	140	240	-	-	-	-	73.5	164	-	179
ITV-VR/2010-RS	D	355	189	83	140	240	-	-	-	-	81.5	164	-	179

ITVAF fixed connection	603035	ITVAF 6/1220-S90	AF33	-	6000 - 200Hz	1157	11.3	27	1200	23	-	6.04
	603036	ITVAF 6/1510-S90	AF33	-	6000 - 200Hz	1484	14.6	29	1700	29	4.9	7.10
	604035	ITVAF 9/1110-S90	AF33	-	9000 - 150Hz	1113	10.9	26	1150	18	-	8.52
	604036	ITVAF 9/1510-S90	AF33	-	9000 - 150Hz	1484	14.6	28	1600	24	4.0	10.4

ITVAF 6/1220-S90	A	339	214	215	100	180	17	4	47	92.5	73.5	164	140	179
ITVAF 6/1510-S90	A	355	214	215	100	180	17	4	47	92.5	81.5	164	140	179
ITVAF 9/1110-S90	A	339	214	215	100	180	17	4	47	92.5	73.5	164	140	179
ITVAF 9/1510-S90	A	355	214	215	100	180	17	4	47	92.5	81.5	164	140	179

ITVAF RS cradle connection	603038	ITVAF 6/1220-RS-S90	AF33	-	6000 - 200Hz	1157	11.3	25	1200	23	-	6.04
	603039	ITVAF 6/1510-RS-S90	AF33	-	6000 - 200Hz	1484	14.6	27	1700	29	4.9	7.10
	604038	ITVAF 9/1110-RS-S90	AF33	-	9000 - 150Hz	1113	10.9	24	1150	18	-	8.52
	604039	ITVAF 9/1510-RS-S90	AF33	-	9000 - 150Hz	1484	14.6	26	1600	24	4.0	10.4

ITVAF 6/1220-RS-S90	D	339	189	83	140	240	-	-	-	-	73.5	164	-	179
ITVAF 6/1510-RS-S90	D	355	189	83	140	240	-	-	-	-	81.5	164	-	179
ITVAF 9/1110-RS-S90	D	339	189	83	140	240	-	-	-	-	73.5	164	-	179
ITVAF 9/1510-RS-S90	D	355	189	83	140	240	-	-	-	-	81.5	164	-	179

* Special ventilated type for heavy service.